

SupaRule SA (Pty) Ltd.  
26. Simba Street.  
Sebenza  
Edenvale  
Gauteng  
South Africa

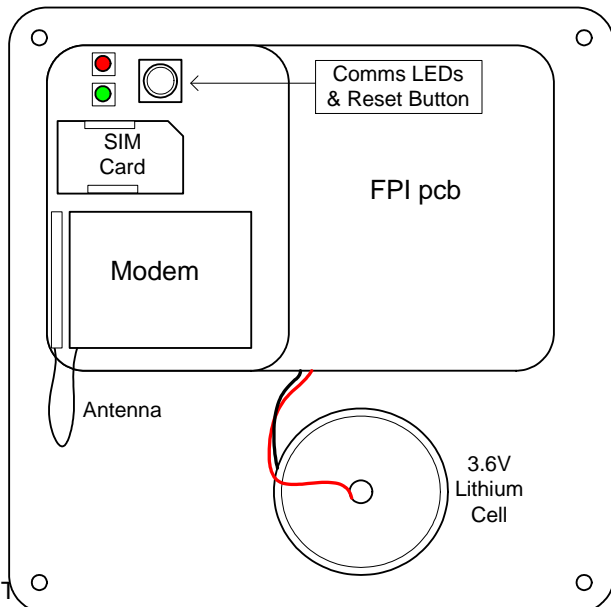
**BOWDENS Rightway Pathfinder Mk10  
GSM Procedure to Change Reporting  
Data to a Mobile Phone - Version 3**

Telephone: +27 (0)11 452 9800  
Fax: +27 (0)11 452 9800  
e-mail: [sales@suparule.co.za](mailto:sales@suparule.co.za)

This procedure is to change reporting data for an already commissioned Mk10. e.g. new mobile phone number.

1. Ensure Mk10 is switched 'off' and unscrew the front panel in a dry environment.
2. Check the SIM card is in the tray with the gold contacts face down and corner chamfer on righthand side.
3. Switch 'on' the Mk10. The RED Flag on the front will flip from RED to BLACK indicating a successful battery check. The modem waits for a good battery check showing RED COMMs LED and then GREEN indicating modem power-up if battery check passed. The modem connects to the network showing both RED + GREEN LEDs together while connecting. Because this is a unit that has been previously commissioned it will send a health check message to the designated mobile phone(s) and indicate success with a steady GREEN LED for a few seconds.
4. Depress the Reset Button and hold until first the GREEN and then the RED LED lights. This usually requires holding the button down for around 10 seconds. When the RED LED lights release Reset Button and following the network connection sequence as above, the GREEN LED will begin flashing to indicate awaiting an incoming recommissioning message from the website (see 5. below). It will remain in this state for 30 minutes at the end of which, if no commissioning message is received, it will automatically clear-down. Switch OFF the Mk10 and repeat step 3. onwards. If a problem occurs, use a mobile phone to check SIM has credit, is activated and either NO PIN number set or the PIN is set to "0000".
5. Log on to website [www.faultwatch.com](http://www.faultwatch.com) and insert your Customer Identity and Password (supplied by Bowdens) and click the 'Log In' button. Select the Mk10 GSM 'Mobile' radio button.
6. Complete the telephone number and command boxes and click 'Send' . Do not click 'Send' unless the GREEN LED is flashing (step 4.) or you may have to wait several minutes for the commissioning message to arrive. Check the confirmation page and either return to setup page if you have more units to set up or log out. One credit on your User Account will be used each time a message is sent.
7. Recommissioning Data will be sent to Mk10 unit. On receipt of data the LEDs will turn Red to Green as the Mk10 sends a confirmation message to the designated mobile phone. Finally the LEDs will show GREEN and then OFF to indicate a successful transmission.
8. Depending on the input data in 5 above the mobile phone message received will read .e.g
 

<i>Mk10-GSM</i>	- Unit type Identification
<i>Dorking</i>	- this is the identity / location - maximum 17 characters.
<i>Setup completed</i>	- Indicates this is in response to a commissioning message
<i>Health Check&gt;&gt; Daily Report</i>	- Options are:- Never, daily, 7 days or 28 days
<i>Battery OK</i>	- State of Mk10's battery
<i>Signal 20 (📶 📶 - - -)</i>	- Signal level value (30 is maximum) and Bar-graph indicator
<i>FPI Reset</i>	- Signifies the unit's alarm status:- Reset in the Alert Mode.



9. Switch OFF the Mk10.
10. Test the unit by switching ON. A healthcheck message will be sent looking similar to 8 above. The LED sequence indicates RED battery check, GREEN – modem power up, RED+GREEN – connecting to network, GREEN – message sent, then OFF.
11. To test Alarm signal, swipe magnet over Mk10 Coil or hold unit Near ac field. Flag will flip to 'Red'. Transmission LED will light GREEN, RED+GREEN, GREEN, OFF indicating message sent. Receiving mobile phone will receive message with time stamp of receipt on the network. Typical message depends on input data – as step 6. above.
12. Switch off unit (no alarm will be sent) and leave switched off until ready for use.
13. Repeat the above for each Pathfinder Mk10 - GSM to be recommissioned.
14. Refer to 'Mk10 Operation Instructions' for use on site.